

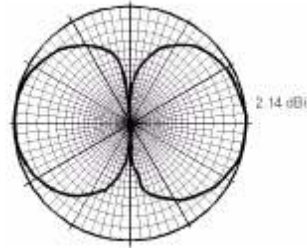
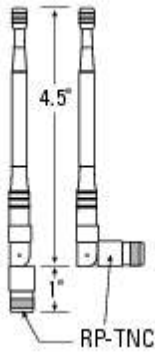
# 2dBi DIPOLE

AIR-ANT4941



Dimensions and Mounting Specifications

Vertical Radiation



Frequency Range	2.4-2.484 GHz
VSWR	Less than 2:1
Power	5 watts
Gain	2dBi
Polarization	Linear
Azimuth 3dB BW	Omnidirectional
Elevations 3dB BW	70 degrees
Antenna Connector	RP-TNC
Dimensions (H)	4.5 in.
Mounting	To RP-TNC Connector

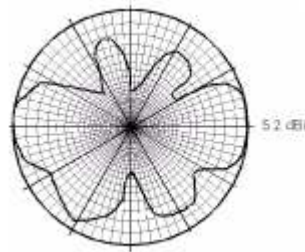
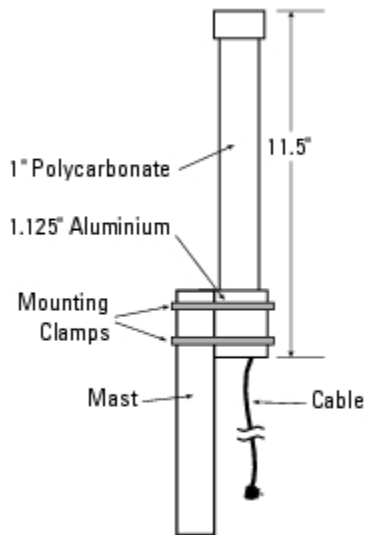
# 5.2dBi Mast Mount OMNIDIRECTIONAL

AIR-ANT2506



Dimensions and Mounting Specifications

Vertical Radiation Pattern



Frequency Range	2.4-2.83 GHz
VSWR	Less than 2:1, 1.5:1 Nominal
Gain	5.2dBi
Polarization	Vertical
Azimuth 3dB BW	Omnidirectional 360 degrees
Elevations Plan (3dB BW)	50 degrees
Antenna Connector	RP-TNC
Dimensions (H x W)	11.5 x 1.125 in.
Mounting	Mast mount—indoor/outdoor

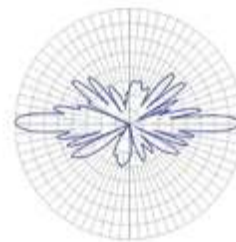
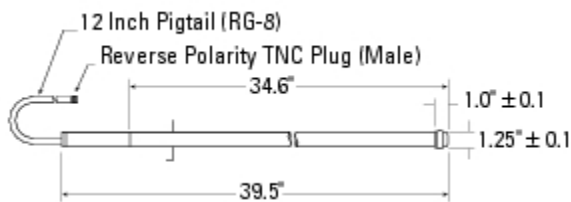
# 12dBi MAST MOUNT OMNIDIRECTIONAL

AIR-ANT24120



Dimensions and Mounting Specifications

Vertical Radiation Pattern



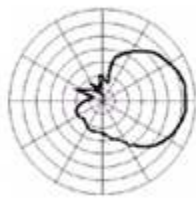
Frequency Range	2400-2500 MHz
VSWR	1.5:1
Gain	12dBi
Polarization	Linear, Vertical
Azimuth 3dB BW	Omnidirectional 360 degrees
Elevation (3dB BW)	7 degrees
Antenna Connector	RP-TNC
Dimensions (H x W)	42 x 1.25 in.
Wind Rating	125 MPH
Mounting	Mast Mount

# 6dBi WALL MOUNT PATCH

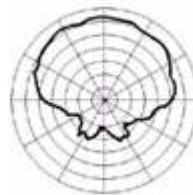
AIR-ANT1729



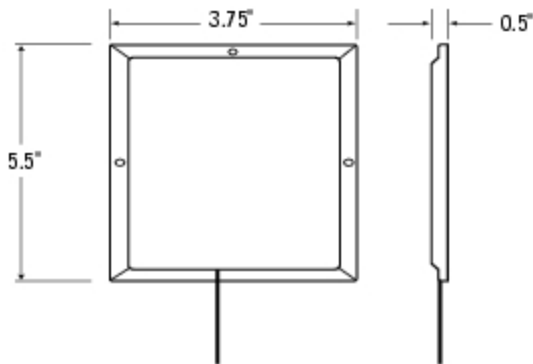
Vertical Radiation



Horizontal Radiation



Dimensions and Mounting Specifications



Frequency Range	2.4-2.5 GHz
VSWR	Less than 2:1
Gain	6dBi
Polarization	Linear
Azimuth 3dB BW	65 degrees
Elevations Plan (3dB BW)	70 degrees
Antenna Connector	RP-TNC
Dimensions (H x W x D)	5.5 x 3.75 x 0.5 in.
Mounting	Wall Mount

# 13.5dBi MAST/WALL MOUNT YAGI

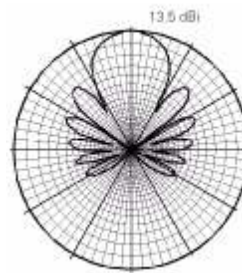
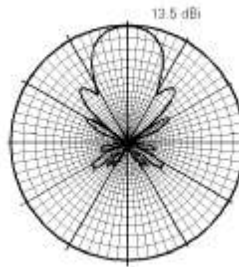
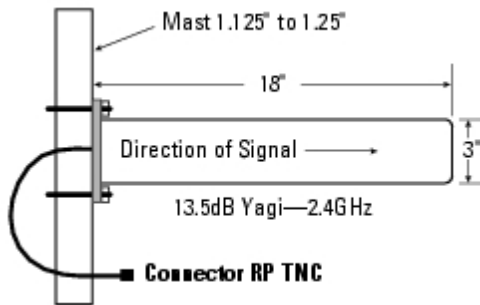
AIR-ANT1949



Dimensions and Mounting Specifications

Horizontal Radiation Pattern

Vertical Radiation Pattern



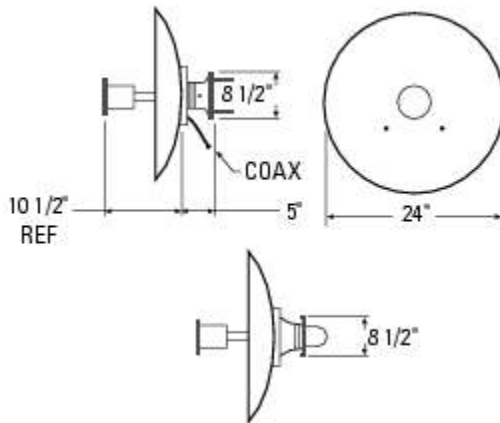
Frequency Range	2.4-2.83 GHz
VSWR	Less than 2:1, 1.5:1 Nominal
Gain	13.5dBi
Front to Back Ratio	Greater than 30 dB
Polarization	Vertical
Azimuth 3dB BW	30 degrees
Elevations 3dB BW	25 degrees
Antenna Connector	RP-TNC
Dimensions (H x W)	18 x 3 in.
Wind Rating	110 MPH
Mounting	Mast/Wall Mount

# 21dBi MAST MOUNT PARABOLIC DISH

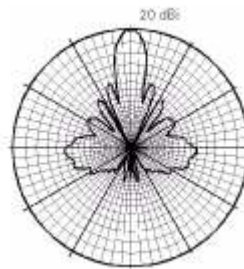
AIR-ANT3338



Dimensions and Mounting Specifications



Vertical Radiation Pattern



Frequency Range	2.4-2.83 GHz
VSWR	Less than 1.8:1, 15:1 Nominal
Power	5 watts
Gain	21dBi
Front to Back Ratio	Greater than 25 dB
Maximum Side Lobe	-17 dB
Polarization	Vertical
Azimuth 3dB BW	12.4 degrees
Elevation 3dB BW	12.4 degrees
Antenna Connector	RP-TNC
Dimensions (H x W)	24 x 15.5 in.
Wind Rating	110 MPH
Mounting	Mast Mount

